

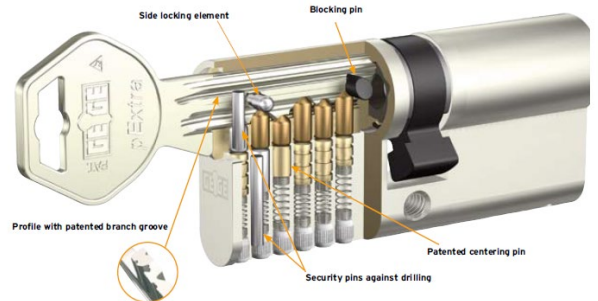
CARE AND MAINTENANCE GUIDE

EURO PROFILE CYLINDER

KABA Euro Profile Cylinder

Regular Maintenance:

The benefit of regular maintenance of a locking system is generally underestimated, even though essential for continuous functioning of each locking mechanism. Regular and preventative maintenance should be carried out using KABA cleaner spray. This has been specially developed for the cleaning and maintenance of cylinder locks and for protection against corrosion.



Benefits of regular cleaning with KABA Cylinder Cleaner Spray:

- Cleans and protects against corrosion.
- Prevents accumulated residue inside the key slot and on keys.
- Prevents premature wear and tear of the cylinder.
- Regular cleaning maintains the functionality of the KABA cylinder for longer.
- Easy to use.
- Environmentally friendly.

Strongly Recommended:

Never use other lubricants, for instance graphite, grease or oil and any other cleaning spray or agent containing oily substances in a KABA cylinder. These will encourage the accumulation of residue that in turn will achieve nothing more than the opposite - namely the creation of the equivalent of a grinding paste thus impairing the function and life of the cylinder.



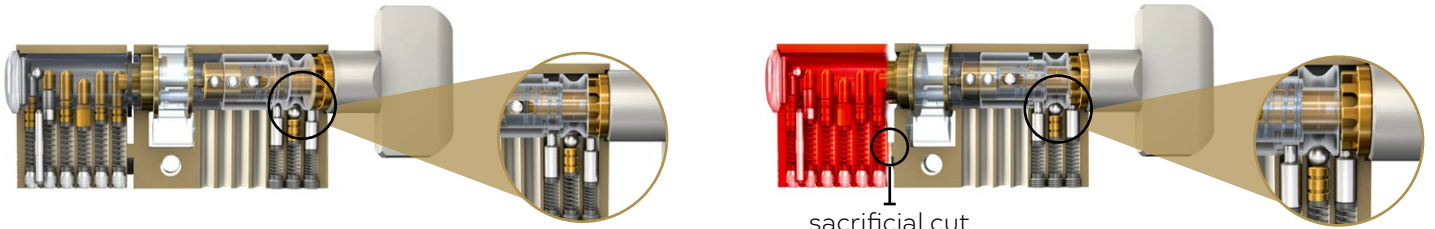
COASTAL

Shaping the future.

CARE AND MAINTENANCE GUIDE

EURO PROFILE CYLINDER

Thumbturn Cylinder operation:



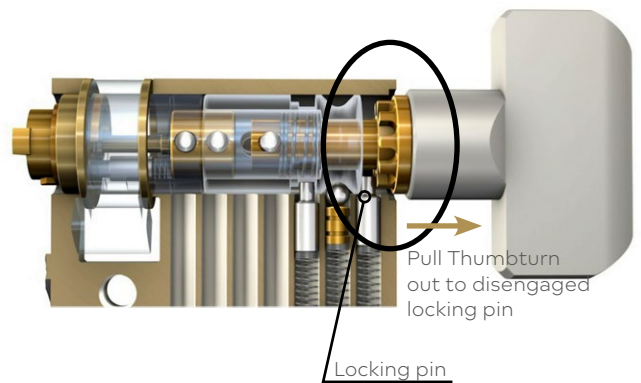
The thumbturn rotor is sprung-loaded, to ensure the cylinder can be operated from the inside in the event of the cylinder being attacked/snapped.

The cylinder has been designed to ensure any such attack leaves the person unable to operate the cylinder to gain access to the property. This is achieved by deadlocking the cam in the event of the front end of the cylinder being snapped at point of the sacrificial cut (external). This pin ensures the cam cannot be manipulated to disable the locking mechanism on the door.

However, to ensure there remains a means of egress to any occupants, the deadlocking pin can be withdrawn by pulling the thumbturn outwards and rotating to unlock the door.

Note:

The thumbturn should not be used as a means to pull open the door. This will put undue stress on the cylinder which is not conducive to the cylinder operating at it's optimum performance.



COASTAL

Shaping the future.